

Cim 50NPT

GATE VALVE COMPACT TYPE - NPT THREAD - PN 16



This article was made in compliance with the quality management requirements of ISO 9001 standard. All articles are tested according to the EN 12266-1 standard.

It can be used in a wide variety of sectors: heating, air conditioning, water, sanitary systems, oil pipelines, gasoline networks, saturated steam and generally with any non corrosive liquid.

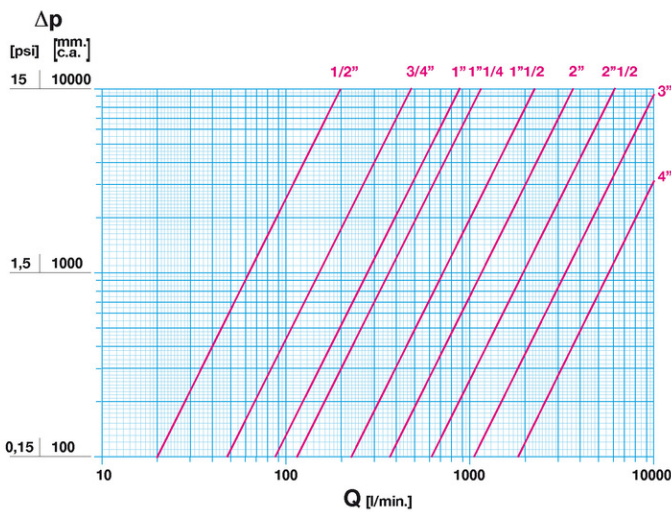
It is guaranteed for 5 years

It is made of a brass alloy that complies with standard EN 12165-CW617N-DW.

Nominal Pressure: PN16

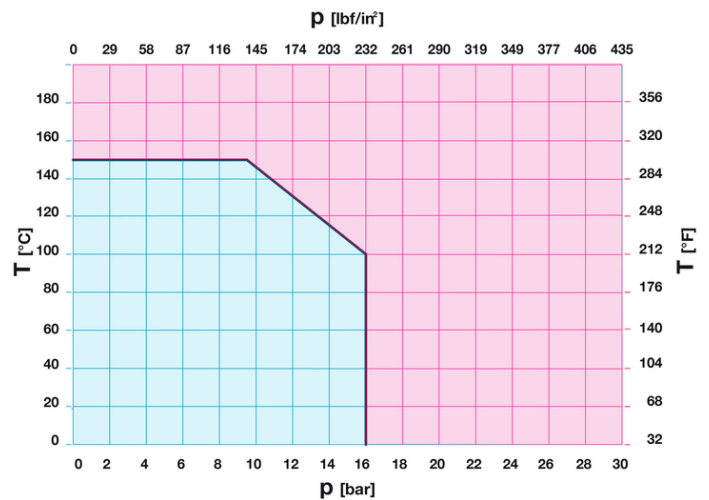
Operating temperature: -10 ÷ 150°C

FLOW AND PRESSURE DROP



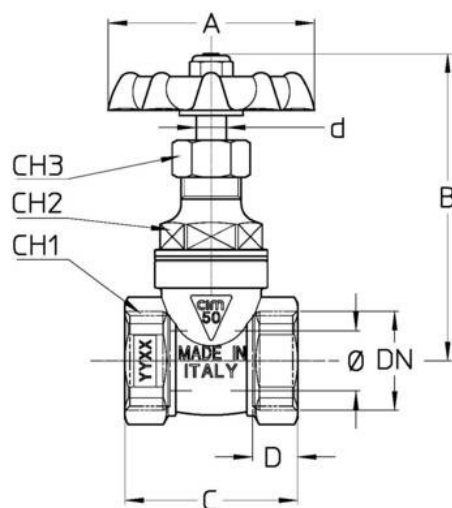
Notes:
 1 l/min = 0,06 m³/h
 1 m³/h = 16,67 l/min
 1 bar = 10.000 mm w.c.
 1 psi = 690 mm w.c.

PRESSURE TEMPERATURE RATINGS



Notes:
 1 bar = 14,5 psi
 1 bar = 14,5 lbf/in²
 $^{\circ}C = 5/9 \times (^{\circ}F - 32)$
 $^{\circ}F = 32 + (9/5 \times ^{\circ}C)$

TECHNICAL DRAWING



DN	1/2"	3/4"	1"	1"1/4	1"1/2	2"	2"1/2	3"	4"
Ø mm	13	16	23	28	33	45	59	68	85
Grms.	210	255	365	510	695	1120	2065	2835	4960
A	50	55	60	65	65	80	110	110	120
B	79	82,5	95,5	102,5	115,5	139	181,5	201	239,5
C	42	46	50	55	60	67	69	77	91
D	11,5	12	14	16	17	18	14,5	19	21
CH1	25	31	37	47	54	68	85	97	125
CH2	24	24	30	32	32	45	55	66	88
CH3	18	18	18	18	21	23	30	30	33
d	8	8	8	8	9	10	13	13	14

Thread:
ANSI B1.20.1 - NPT

TECHNICAL CHARACTERISTICS

KV									
DN	1/2"	3/4"	1"	1"1/4	1"1/2	2"	2"1/2	3"	4"
KV	12	29	51	68	138	222	366	624	1065

KV = Flow rate in m³/h with a pressure drop of 1 bar

REACH Regulation

According to article 33 of REACH Regulation, we inform you that the components made of bronze and brass alloys that are parts of the articles we supply, contain the lead (as alloy component) in a higher quantity of the limit of 0,1% in weight. Lead has been inserted in the list of SVHC substances nominated for the authorisation process, in the updating published by the European Chemical Agency ECHA on 27th June 2018. Lead has been introduced with the following information:

- Substance: Lead
- CAS: 7439-92-1
- EC: 231-100-4
- List: SVHC
- Data of Inclusion: 27th June 2018

Since lead is an element of the alloy, no exposure is expected and consequently, no further information is requested for the safe use of this product.

The list is available at the following link: <https://echa.europa.eu/it/candidate-list-table> and since it is a continuously updated list, we declare the constant monitoring about insertion of new substances and the prompt on time information to our customers in case such substances should be contained in the products we supply.

Make sure product materials and features are suitable for system scope and conform to the local regulations in force

OUR CERTIFICATIONS

