

## Cim EMV110/132

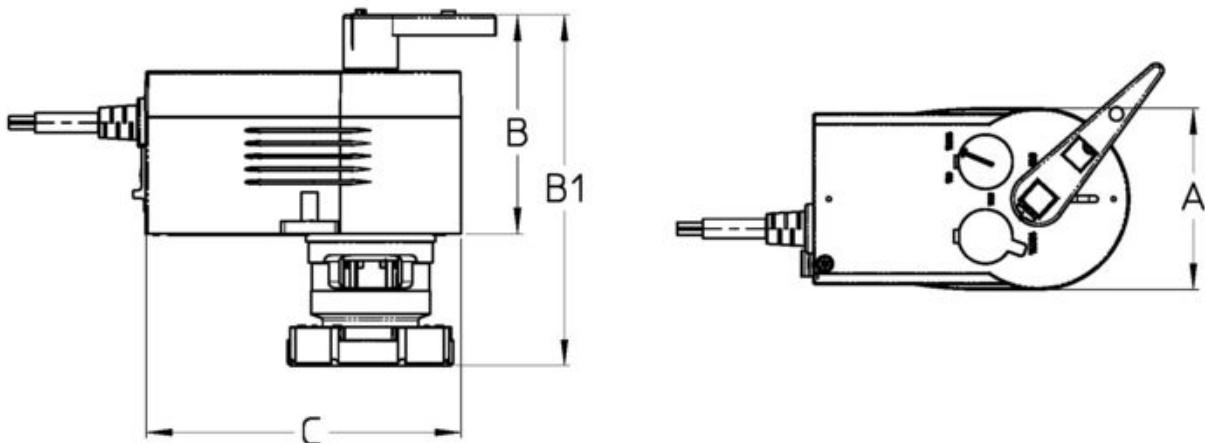
ATTUATORE PER VALVOLE A 6 VIE - PRO/3P - UNI 5211-F04



Realizzato in ottemperanza ai requisiti gestionali della norma EN ISO 9001.  
Accessorio/Ricambio originale per prodotti Cimberio.

Garanzia 2 anni.

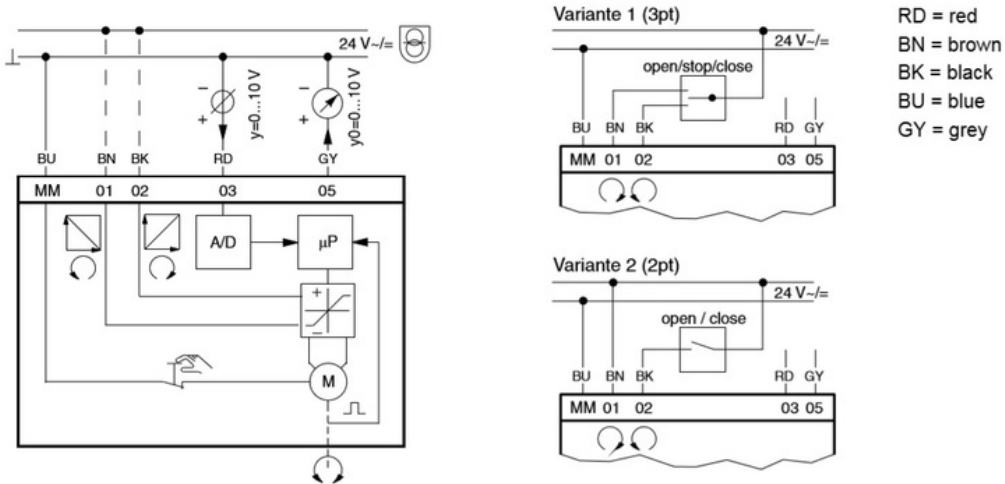
### DISEGNO TECNICO E TABELLA



<b>Grms.</b>	<b>700</b>
A	70
B	85
B1	135,5
C	122

UNI 5211 F04

## CARATTERISTICHE TECNICHE



Voltage	24V - 50/60 Hz - DC
Rotation angle	90°
Opening/closing time	35-60-120!
Control	PRO/3P
Actuator protection degree	IP 54
Operating temperature	-10°C min +55°C max
Box motor color	Black/Yellow
Operating torque	8 Nm
Connecting cable-total lenght	1200 mm
Input signal	0-10 VDC; 4-20mA - 3P
Feedback signal	0-10 VDC
Selection of rotation	CCW/CW
Position indicator	Lever on cover
Manual operation	Yes
Suitable for	Six way valves in:
	3P
	PRO
Relay	No