

Cim EMV110/133

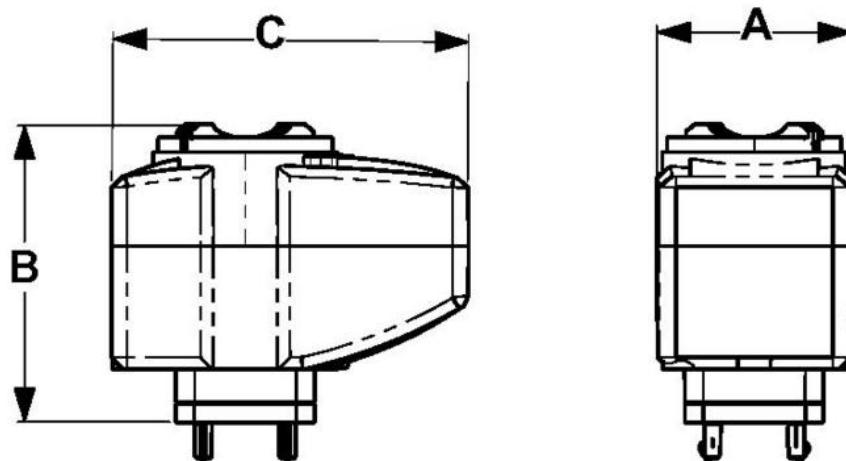
ATTUATORE PER VALVOLE A 6 VIE - PRO - UNI 5211-F04



Realizzato in ottemperanza ai requisiti gestionali della norma EN ISO 9001.
Accessorio/Ricambio originale per prodotti Cimberio.

Garanzia 2 anni.

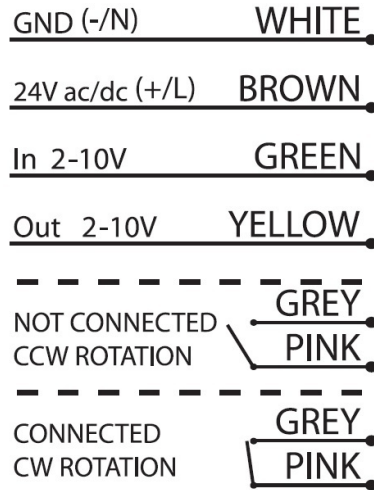
DISEGNO TECNICO E TABELLA



Grms	420
A	59
B	98,5
C	108

UNI 5211 F04

CARATTERISTICHE TECNICHE



Voltage	24V - 50/60 Hz - DC
Rotation angle	90°
Opening/closing time	60"
Control	PRO
Actuator protection degree	IP 54
Operating temperature	0°C min +50°C max
Box motor color	White/Blue
Operating torque	10 Nm
Connecting cable-total length	1000 mm
Input signal	2-10 VDC; 4-20mA - 3P
Feedback signal	2-10 VDC
Selection of rotation	CCW/CW
Position indicator	Knob on cover
Manual operation	Yes
Suitable for	Six way valves in:
	PRO
Relay	No