

## Cim 602RE

**ELECTRO-MOTOR ACTUATED BALL VALVE FEMALE/FEMALE TYPE - 230 V - T14 SERIES**



This article was made in compliance with the quality management requirements of ISO 9001 standard. All articles are tested according to the EN 12266-1 standard.

It can be used in a wide variety of sectors: heating, air conditioning, water, sanitary systems, pneumatic systems and generally with any non corrosive liquid.

Especially indicated as a zone valve for the regulating and metering of individual or zone heating systems, alternative energy systems, in systems using hot or cold liquids and for automation systems in general.

It is guaranteed for 5 years.

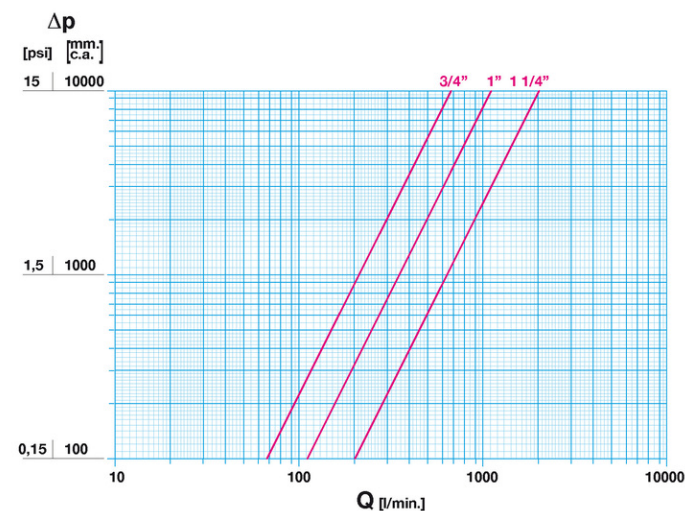
It is made of a brass alloy that complies with standard EN 12165-CW617N-DW.

Nominal Pressure:

PN 45 (3/4" ÷ 1"); PN 35 (1"1/4")

Operating temperature: -20 ÷ 150°C

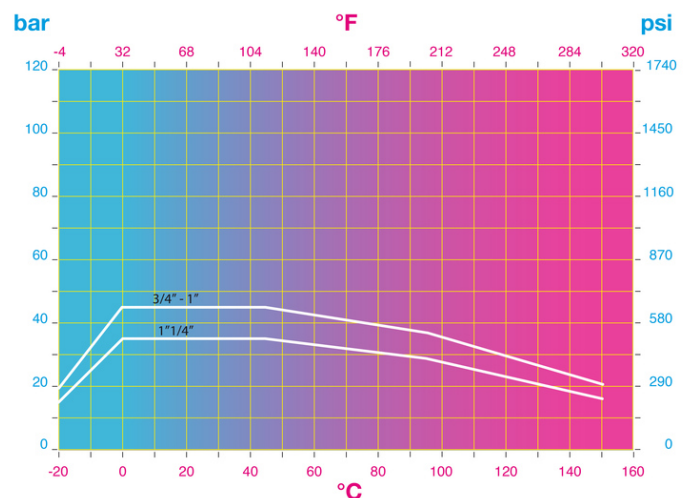
### FLOW AND PRESSURE DROP



Notes:

- 1 l/min = 0,06 m3/h
- 1 m3/h = 16,67 l/min
- 1 bar = 10.000 mm w.c.
- 1 psi = 690 mm w.c.

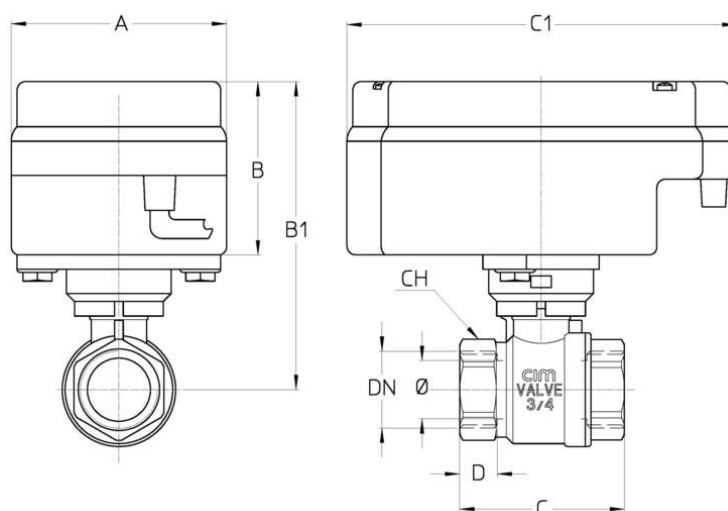
### PRESSURE TEMPERATURE RATINGS



Notes:

- 1 bar = 14,5 psi
- 1 bar = 14,5 lbf/in2
- °C = 5/9 x (°F-32)
- °F = 32 + (9/5 x °C)

## TECHNICAL DRAWING



DN	3/4"	1"	1"1/4
Ø mm	20	25	32
<b>Grms.</b>	<b>760</b>	<b>910</b>	<b>1170</b>
A	74	74	74
B	60	60	60
B1	108	112	119
C	57	68	81
C1	135	135	135
D	12,5	14	17,5
CH	31	38	47

Thread:  
ISO 228

Upon request:  
ANSI B.1.20.1 - NPT

## TECHNICAL CHARACTERISTICS

KV CM CS MT			
DN	3/4"	1"	1"1/4
Ø mm	20	25	32
KV	41	68	123
CM	2	3,5	3,5
CS	3,5	4,5	6
MT	24	24	45
DPmax	16	16	16
T	30	30	30

KV = Capacity in m<sup>3</sup>/h at pressure drop of 1 bar.

CM = Operating torque in Nm.

CS = Starting torque in Nm.

MT = Stem breaking torque in Nm.

DPmax = Maximum differential pressure in bar.

T= Opening/closing time in seconds.

Actuator

### REACH Regulation

According to article 33 of REACH Regulation, we inform you that the components made of bronze and brass alloys that are parts of the articles we supply, contain the lead (as alloy component) in a higher quantity of the limit of 0,1% in weight. Lead has been inserted in the list of SVHC substances nominated for the authorisation process, in the updating published by the European Chemical Agency ECHA on 27th June 2018. Lead has been introduced with the following information:

- Substance: Lead

- CAS: 7439-92-1
- EC: 231-100-4
- List: SVHC
- Data of Inclusion: 27<sup>th</sup> June 2018

Since lead is an element of the alloy, no exposure is expected and consequently, no further information is requested for the safe use of this product.

The list is available at the following link: <https://echa.europa.eu/it/candidate-list-table> and since it is a continuously updated list, we declare the constant monitoring about insertion of new substances and the prompt on time information to our customers in case such substances should be contained in the products we supply.

Make sure product materials and features are suitable for system scope and conform to the local regulations in force

## OUR CERTIFICATIONS

