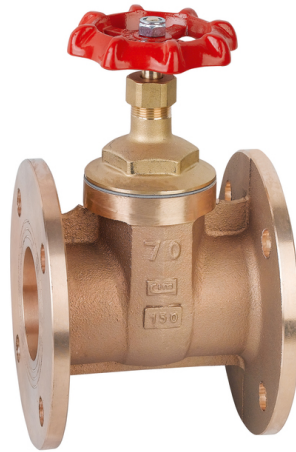


Cim *72FPN6

FLANGED GATE VALVE - PN 16 - DRILLED FLANGE PN 6



This article was made in compliance with the quality management requirements of ISO 9001 standard. All articles are tested according to the EN 12266-1 standard.

It can be used in a wide variety of sectors: heating, air conditioning, water, sanitary systems, oil pipelines, gasoline networks, saturated steam and generally with any non corrosive liquid.

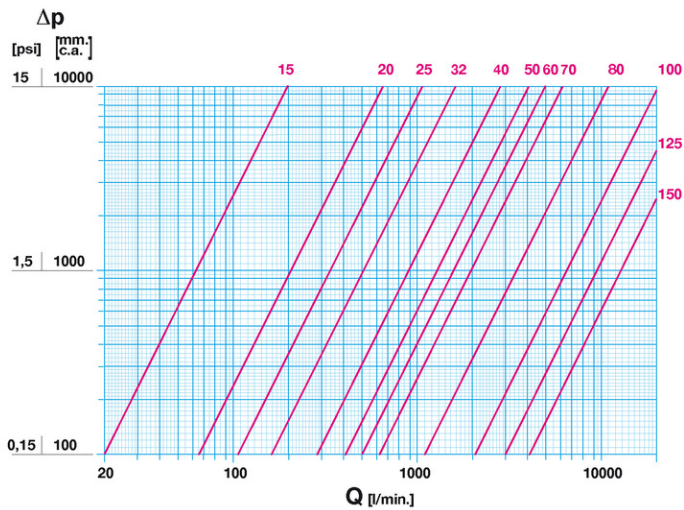
It is guaranteed for 5 years

It is made of a bronze alloy that complies with standard EN 1982-CC491K.

Nominal Pressure: PN16 (DN 15 ÷ 100); PN10 (DN 125 and 150)

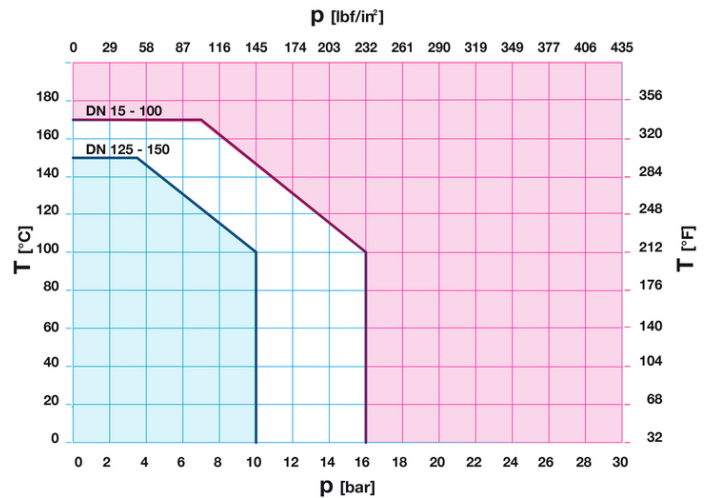
Operating temperature: -10 ÷ 170°C (DN 15 ÷ 100); -10 ÷ 150°C (DN 125 and 150)

FLOW AND PRESSURE DROP



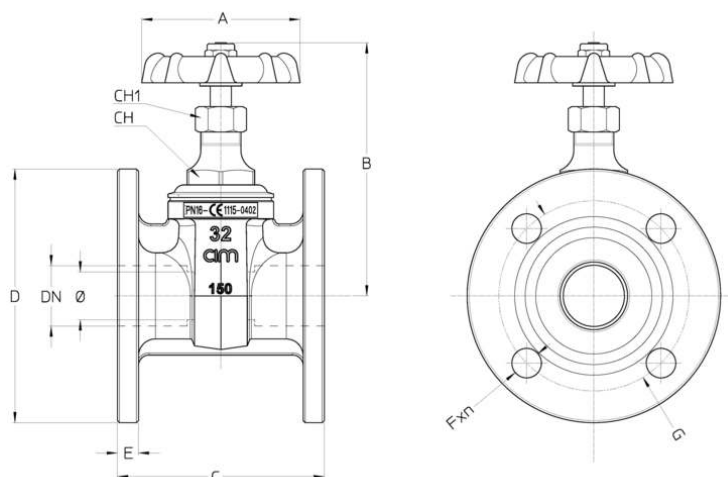
Notes:
 1 l/min = 0,06 m3/h
 1 m3/h = 16,67 l/min
 1 bar = 10.000 mm w.c.
 1 psi = 690 mm w.c.

PRESSURE TEMPERATURE RATINGS



Notes:
 1 bar = 14,5 psi
 1 bar = 14,5 lbf/in2
 °C = 5/9 x (°F-32)
 °F = 32 + (9/5 x °C)

TECHNICAL DRAWING



DN	1/2"	3/4"	1"	1"1/4	1"1/2	2"	2"1/4	2"1/2	3"	4"	5"	6"
Ø mm	15	20	25	32	40	50	60	70	80	100	125	150
Grms.	1070	1455	1910	2760	2900	4075	5375	6859	8580	13085	19535	25285
A	55	60	65	75	80	90	90	110	120	140	175	175
B	84	95	104	120	134	150	173	185,5	206	264	316,5	361
C	69	85	89	97,5	113	124	140	153,5	158	169,5	191	209,5
D	80	84,5	100	120,5	135	148,5	150	160	206	210	240	265
E	8,5	9	9,5	10	10,5	9	12	12	12	14	16	18
Fxn	12x4	12x4	12x4	14x4	14x4	14x4	14x4	14x4	18x4	18x4	18x8	18x8
G	55	65	75	90	100	110	120	130	150	170	200	225
CH	24	30	32	32	39	47	49	55	66	84	114	136
CH1	18	18	18	21	23	25	25	30	30	37	45	50

Flanging:
UNI EN 1092

Upon request:
BS 10 tables D - E - F
ANSI/ASME B16.5 Class 150

TECHNICAL CHARACTERISTICS

KV												
DN	1/2"	3/4"	1"	1"1/4	1"1/2	2"	2"1/4	2"1/2	3"	4"	5"	6"
Ø mm	15	20	25	32	40	50	60	70	80	100	125	150
KV	12	39	61	96	171	246	300	372	660	1212	1500	1818

KV = Flow rate in m³/h with a pressure drop of 1 bar

REACH Regulation

According to article 33 of REACH Regulation, we inform you that the components made of bronze and brass alloys that are parts of the articles we supply, contain the lead (as alloy component) in a higher quantity of the limit of 0,1% in weight. Lead has been inserted in the list of SVHC substances nominated for the authorisation process, in the updating published by the European Chemical Agency ECHA on 27th June 2018. Lead has been introduced with the following information:

- Substance: Lead
- CAS: 7439-92-1
- EC: 231-100-4
- List: SVHC
- Data of Inclusion: 27th June 2018

Since lead is an element of the alloy, no exposure is expected and consequently, no further information is requested for the safe use of this product.

The list is available at the following link: <https://echa.europa.eu/it/candidate-list-table> and since it is a continuously updated list, we declare the constant monitoring about insertion of new substances and the prompt on time information to our customers in case such substances should be contained in the products we supply.

Make sure product materials and features are suitable for system scope and conform to the local regulations in force

OUR CERTIFICATIONS

