

# Cim 3739B

**BALANCING VALVE - VARIABLE ORIFICE - PN16 - CAST IRON - DRILLED FLANGE PN 16**



This article was made in compliance with the quality management requirements of ISO 9001 standard. All articles are tested according to the EN 12266-1 standard. It can be used in a wide variety of sectors: heating, air conditioning, water, sanitary systems and generally with any non corrosive liquid.

It is guaranteed for 5 years.

It is made of EN-JL 1040 cast iron.

Nominal Pressure: PN16

Operating temperature: -10 ÷ 120°C

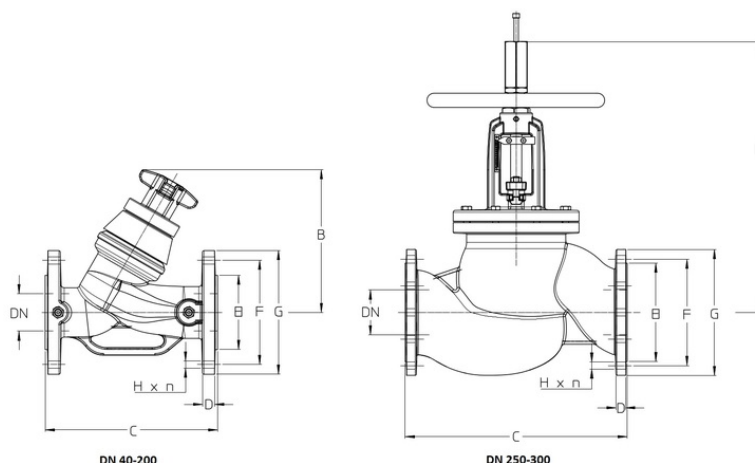
## PRESSURE TEMPERATURE RATINGS



**Notes:**

- 1 bar = 14,5 psi
- 1 bar = 14,5 lbf/in<sup>2</sup>
- °C = 5/9 x (°F-32)
- °F = 32 + (9/5 x °C)

## TECHNICAL DRAWING



DN	40	50	65	80	100	125	150	200	250	300
<b>Kgs.</b>	<b>8,2</b>	<b>11,6</b>	<b>15,6</b>	<b>19,8</b>	<b>34,8</b>	<b>52,4</b>	<b>78,6</b>	<b>173</b>	<b>254</b>	<b>350</b>
B	178	190	215	225	334,5	369	403	732	739,5	848,5
C	200	230	290	310	350	400	480	600	730	850
D	14	16	17	19	21	22	21	26	29	28
E	84	99	118	132	156	178	211	266	320	370
F	110	125	145	160	180	210	240	295	355	410
G	150	165	185	200	220	250	285	340	405	460
H	19	19	19	19	19	19	23	23	28	28
n	4	4	4	8	8	8	8	12	12	12

Flanging:  
ISO 7005-2

## TECHNICAL CHARACTERISTICS

### KV - KVS

DN	40	50	65	80	100	125	150	200	250	300
KV - KVS	29,32	47,63	72,09	103,68	186,01	307,78	355,11	790,63	955,29	1353,60

KV = Flow rate in m<sup>3</sup>/h at a pressure drop of 1 bar

KVS = Water flow rate that causes a pressure drop of 1 bar measured on the pressure connections

### REACH Regulation

According to article 33 of REACH Regulation, we inform you that the components made of bronze and brass alloys that are parts of the articles we supply, contain the lead (as alloy component) in a higher quantity of the limit of 0,1% in weight. Lead has been inserted in the list of SVHC substances nominated for the authorisation process, in the updating published by the European Chemical Agency ECHA on 27th June 2018. Lead has been introduced with the following information:

- Substance: Lead
- CAS: 7439-92-1
- EC: 231-100-4
- List: SVHC
- Data of Inclusion: 27<sup>th</sup> June 2018

Since lead is an element of the alloy, no exposure is expected and consequently, no further information is requested for the safe use of this product.

The list is available at the following link: <https://echa.europa.eu/it/candidate-list-table> and since it is a continuously updated list, we declare the constant monitoring about insertion of new substances and the prompt on time information to our customers in case such substances should be contained in the products we supply.

Make sure product materials and features are suitable for system scope and conform to the local regulations in force

## OUR CERTIFICATIONS

