

Cim 731

MONOLINK TERMINAL UNIT CONNECTION SYSTEM



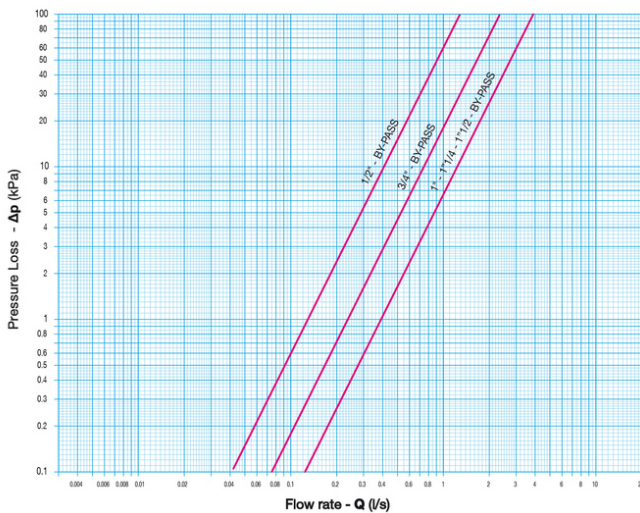
This article was made in compliance with the quality management requirements of ISO 9001 standard. All articles are tested according to the EN 12266-1 standard. It can be used in a wide variety of sectors: heating, air conditioning, water, sanitary systems and generally with any non corrosive liquid.

It is guaranteed for 5 years.

It is made of a "CR" - "DZR" brass alloy that complies with standard EN 12165-CW602N-M.

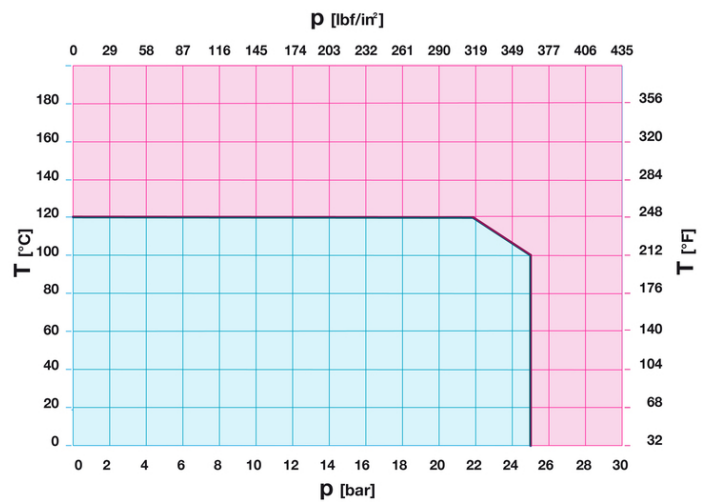
Nominal Pressure: PN25
Operating temperature: -10 to 120°C

FLOW AND PRESSURE DROP



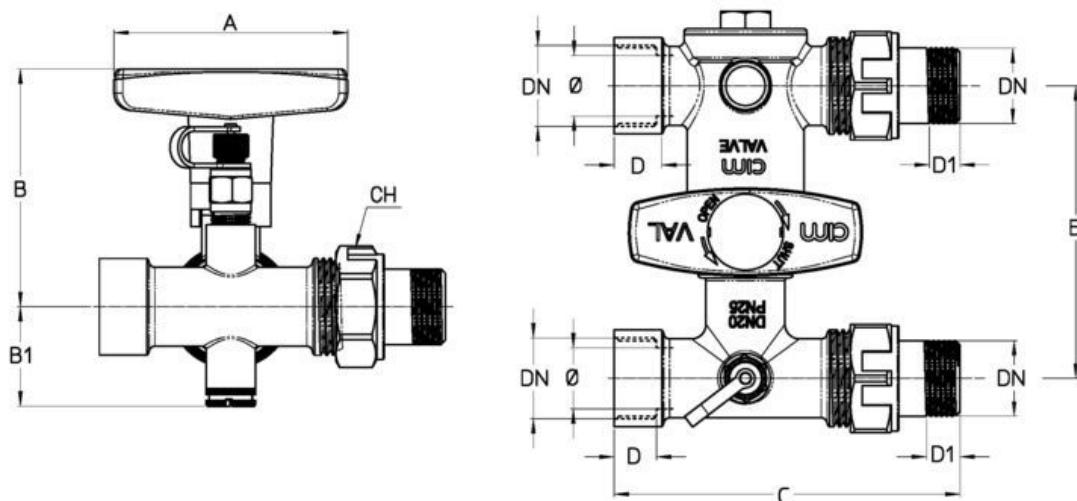
Notes:
1 l/s = 3.6 m³/h
1 m³/h = 0.278 l/s
1 kPa = approx. 100 mm
1 bar = 100 kPa

PRESSURE TEMPERATURE RATINGS



Notes:
1 bar = 14,5 psi
1 bar = 14,5 lbf/in²
°C = 5/9 x (°F-32)
°F = 32 + (9/5 x °C)

TECHNICAL DRAWING



DN	1/2"x1/2"	3/4"x3/4"	1"x1"	1"1/4x1"1/4	1"1/2x1"1/2
Φ mm	15	20	25	25	25
Grms.	790	1170	1580	2875	3500
A	80	80	80	80	80
B	77	81	85	85	85
B1	29	33	35	37,5	37,5
C	96	118,5	143	157	165
D	14	15	21	24	25.5
D1	10	13	14	15	16
E	100	100	150	175	175
CH	31	37	47	52	64

Thread:
ISO 7 - Rp, ISO 228

OUR CERTIFICATIONS

